



TEST GAUGES

SOLFRUNT® 6" Models 1403 and 1404 Test Gauges

DESCRIPTION

Series 1400 6" SOLFRUNT test gauges are used in instrument shops, laboratories and other critical applications, where a high degree of accuracy is required and operator error must be minimized. Panel or stem mounted, these gauges offer the same accuracy ($\pm 0.25\%$ accuracy – Grade 3A), case, dial, and calibration features as the 4-1/2" series, except with better readability because of increased length of graduated arc, or larger size. Metric ranges are available upon request.

6" Model 1403



6" Model 1404

SPECIFICATIONS

- SIZES:** 6"
- ACCURACY:** $\pm 0.25\%$ of span (Grade 3A)
- BOURDON TUBE:** Silver brazed; *Phosphor bronze*: 30" Hg VAC through 60 psi; *Beryllium copper*: 100 through 5000 psi
- WINDOW:** Molded acrylic with gasket
- MOVEMENT:** Geared ARC-LOC with parts of phosphor bronze and stainless steel to minimize friction and wear
- DIAL:** White coated aluminum with black markings and mirrored edge
- POINTER:** Knife-edged, black, adjustable
- CASE:** SOLFRUNT, cast aluminum, black finish with BUNA-N pressure relieving back; *1403*: Front flanged for panel mounting; *1404*: Flangeless for stem mounting
- RING:** *1403*: Steel hinged, black finish; *1404*: Aluminum, threaded, black finish
- CONNECTION:** 1/2-14 ANPT standard (1/4-18 ANPT optional), brass

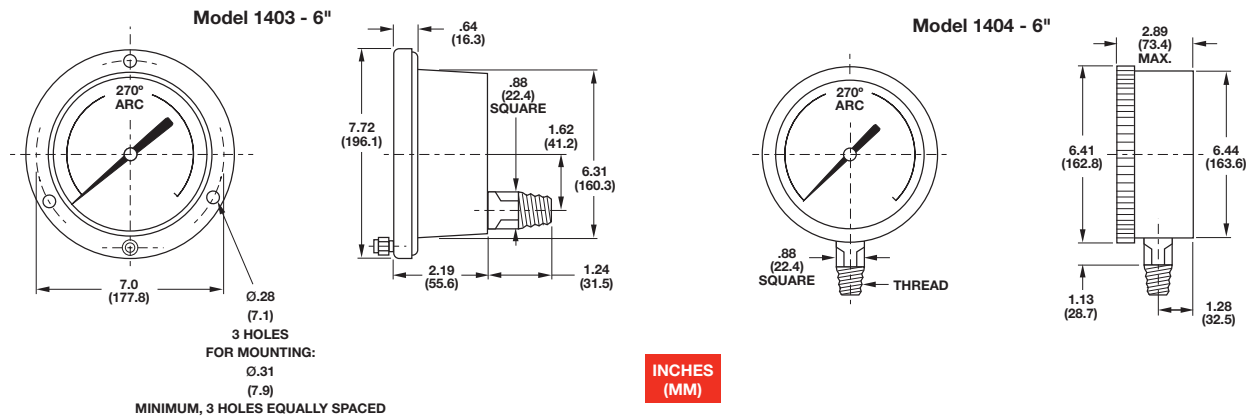
Standard Ranges

Maximum Indication	Figure Intervals	Smallest Intervals
30" Hg VAC	2" Hg VAC	0.1" Hg VAC
15 psi	1	0.05
30 psi	2	0.1
60 psi	5	0.2
100 psi	5	0.5
160 psi	10	1
200 psi	10	1
300 psi	20	1
600 psi	50	2
1000 psi	50	5
1500 psi	100	5
2000 psi	100	10
3000 psi	200	10
5000 psi	200	20



TEST GAUGES

SOLFRUNT® 6" Models 1403 and 1404 Test Gauges



Spec Number Selection Chart		
Test Gauges	Model No. 1403 1/2-14 ANPT, Lower-Back Mount*	Model No. 1404 1/2-14 ANPT, Lower Mount*
Bourdon Tube	Phosphor Bronze (30" Hg VAC through 60 psi) Beryllium Copper (100 psi through 5000 psi)	Phosphor Bronze (30" Hg VAC through 60 psi) Beryllium Copper (100 psi through 5000 psi)
Connection	Brass	Brass
Sizes	6"	6"
Ranges	Spec No.	Spec No.
0-30" Hg	132592	132577
0-15 psi	132593	132578
0-30 psi	132594	132579
0-60 psi	132595	132580
0-100 psi	132596	132581
0-160 psi	132597	132582
0-200 psi	132598	132583
0-300 psi	132599	132584
0-400 psi	132600	132585
0-600 psi	132601	132586
0-1000 psi	132602	132587
0-1500 psi	132603	132588
0-2000 psi	132604	132589
0-3000 psi	132605	132590
0-5000 psi	132606	132591

* 1/4-18 ANPT available – use 133XXX when ordering